

SUNRISE

#413 Tubfill w/ Handshower

PARTS LIST

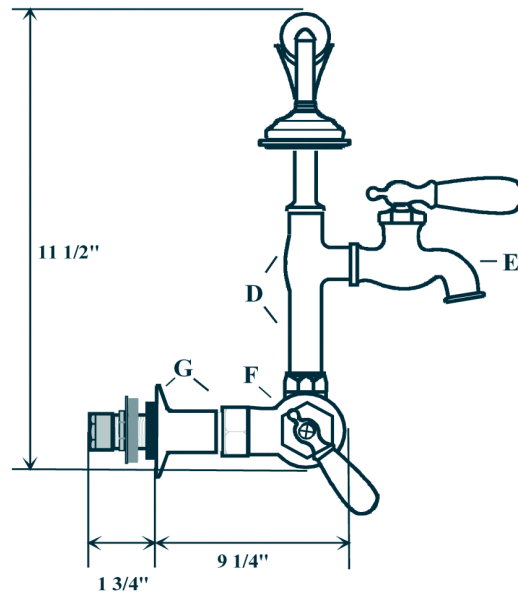
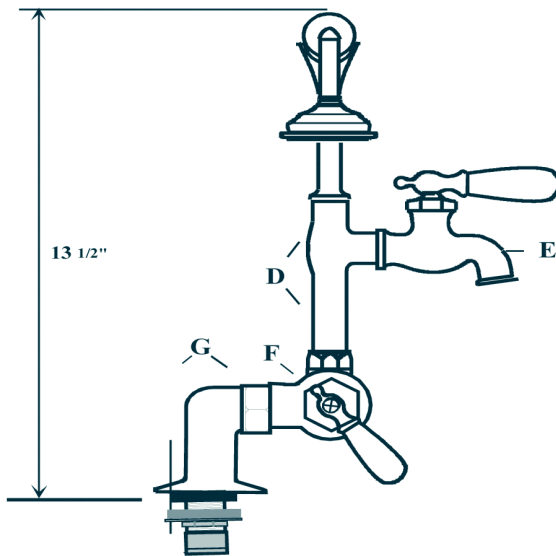
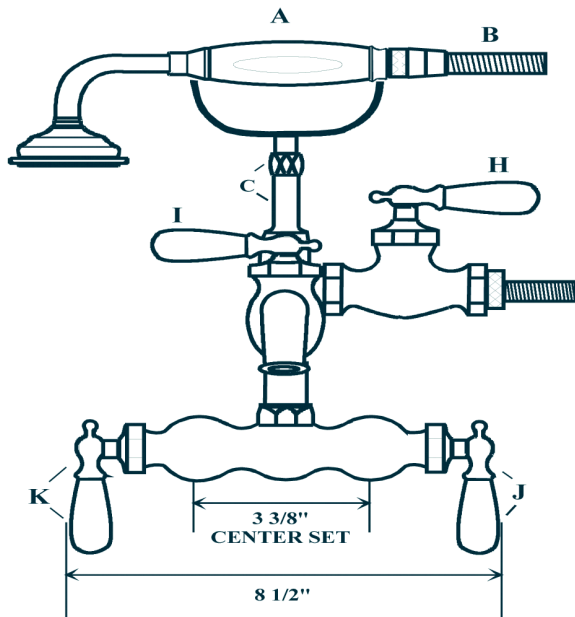
- A #413-5 Shower Handle.
- B #413-3 Shower Hose 60" Long.
- C #413-6 Cradle Only.
- D #413-4 Tee and Cradle.
- E #400-13 Spigot Only.
- F #400-9 Three Ball Mixer Body.
- G 501-3 Right Angle Shank

HANDLE PART NUMBERS

- H #15-2 Small "SHOWER"
- I #15-1 Small "TUB"
- J #11-4 Small "COLD"
- K #11-5 Small "HOT"

REPLACEMENT PARTS:

- Tub, Shower & Hot Valve #403-2
- Cold Valve #403-1



All faucets are made of solid brass and are available in Protected Polished Brass, Unprotected Polished Brass, Polished Chrome, Polished Nickel, Brushed Nickel & Oil Rubbed Bronze. All Faucets have the option of being deck or wall mounted.

#413 comes with #400-20 angled shanks unless #400-10 straight shanks are specified.

All handles are interchangeable, you may substitute any handle style on any faucet.

This faucet complies with ASME A112.18.1-2005 / CSA B125.1-05